

# 2MP Fixed Dome Network Camera

IPC3612LR3-PF28(40)-D



## Key Features

### Optics

- Day/night functionality
- Smart IR, up to 30m (98ft) IR distance
- 3D DNR (Digital Noise Reduction)

### Compression

- Ultra 265, H.265, H.264, MJPEG
- ROI (Region of Interest)

### Network

- ONVIF Conformance

### Structure

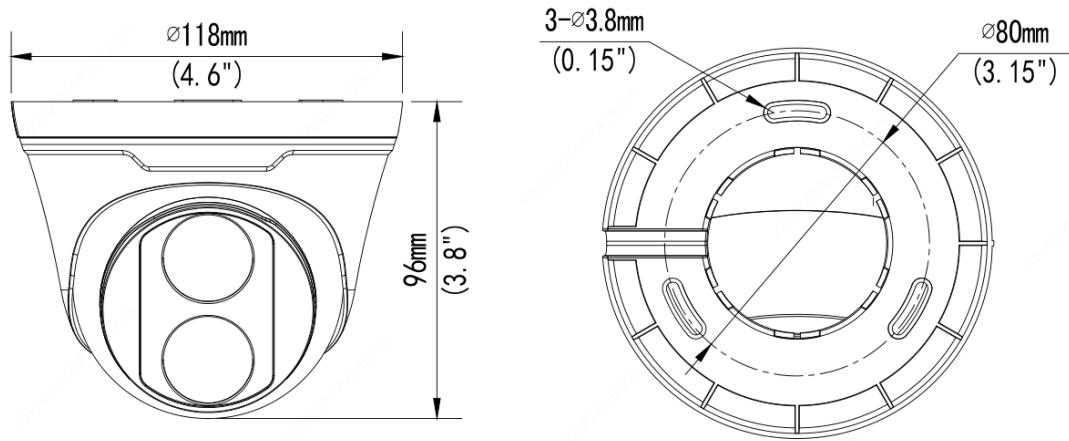
- Wide temperature range: -30°C ~ 60°C (-22°F ~ 140°F)
- Wide voltage range of ±25%
- IP67
- 3-Axis

## Specifications

|                        | IPC3612LR3-PF28-D   | IPC3612LR3-PF40-D |                |               |                   |
|------------------------|---|-------------------|----------------|---------------|-------------------|
| <b>Camera</b>          |   |                   |                |               |                   |
| Sensor                 | 1/2.7", 2.0 megapixel, progressive scan, CMOS   |                   |                |               |                   |
| Lens                   | 2.8mm@F2.0  |                   | 4.0mm@F2.0     |               |                   |
| DORI Distance          | Lens (mm)   | Detect (m)        | Observe (m)    | Recognize (m) | Identify (m)      |
|                        | 2.8   | 46.7              | 18.7           | 9.3           | 4.7               |
|                        | 4.0   | 66.7              | 26.7           | 13.3          | 6.7               |
| Angle of view (H)      | 112.7°  |                   | 86.5°          |               |                   |
| Angle of View (V)      | 60.1°   |                   | 44.1°          |               |                   |
| Angle of View (O)      | 146.5°  |                   | 106.4°         |               |                   |
| Shutter                | Auto/Manual, 1 ~ 1/100000s  |                   |                |               |                   |
| Adjustment angle       | Pan: 0° ~ 360°  |                   | Tilt: 0° ~ 90° |               | Rotate: 0° ~ 360° |
| Min. Illumination      | Colour: 0.02Lux (F2.0, AGC ON)<br>0Lux with IR  |                   |                |               |                   |
| IR Range               | Up to 30m (98ft) IR range   |                   |                |               |                   |
| Day/Night              | IR-cut filter with auto switch (ICR)  |                   |                |               |                   |
| S/N                    | >52dB   |                   |                |               |                   |
| WDR                    | Supported   |                   |                |               |                   |
| Noise Reduction        | 2D/3D   |                   |                |               |                   |
| <b>Video</b>           |   |                   |                |               |                   |
| Max. Resolution        | 1920*1080   |                   |                |               |                   |
| Video Compression      | Ultra 265, H.265, H.264, MJPEG  |                   |                |               |                   |
| H.264 code profile     | Baseline profile, Main Profile  |                   |                |               |                   |
| Frame Rate             | Main Stream: 1080P (1920*1080), Max 30fps;<br>Sub Stream: 720P (1280*720), Max 30fps;<br>Third Stream: CIF (352*288), Max 30fps |                   |                |               |                   |
| HLC                    | Supported   |                   |                |               |                   |
| BLC                    | Supported   |                   |                |               |                   |
| OSD                    | Up to 4 OSDs  |                   |                |               |                   |
| Privacy Mask           | Up to 8 areas   |                   |                |               |                   |
| ROI                    | Up to 2 areas   |                   |                |               |                   |
| Motion Detection       | Up to 4 areas   |                   |                |               |                   |
| <b>Network</b>         |   |                   |                |               |                   |
| Protocols              | IPv4, IGMP, ICMP, ARP, TCP, UDP, DHCP, RTP, RTSP, RTCP, DNS, DDNS, NTP, FTP, UPnP, HTTP, HTTPS, SMTP, SSL, QoS                  |                   |                |               |                   |
| Compatible Integration | ONVIF (Profile S, Profile T),API  |                   |                |               |                   |
| <b>Interface</b>       |   |                   |                |               |                   |
| Network                | 10/100M Base-TX Ethernet  |                   |                |               |                   |
| <b>General</b>         |   |                   |                |               |                   |
| Power                  | DC 12V±25%, PoE (IEEE 802.3af)  |                   |                |               |                   |
|                        | Power consumption: Max 4.5W   |                   |                |               |                   |
| Dimensions (Ø x H)     | Ø118 x 96mm (Ø4.6" x 3.8")  |                   |                |               |                   |
| Weight                 | 0.3kg (0.44lb)  |                   |                |               |                   |

|                     |  |
|---------------------|--|
| Working Environment | -30°C ~ 60°C (-22°F ~ 140°F), Humidity: ≤95% RH (non-condensing) |
| Ingress Protection  | IP67   |

## Dimensions



**Zhejiang Uniview Technologies Co., Ltd.**

Building No.10, Wanlun Science Park, Jiangling Road 88, Binjiang District, Hangzhou, Zhejiang, China (310051)

Email: [overseasbusiness@uniview.com](mailto:overseasbusiness@uniview.com); [globalsupport@uniview.com](mailto:globalsupport@uniview.com)

<http://www.uniview.com>

©2019 Zhejiang Uniview Technologies Co., Ltd. All rights reserved.

\*Product specifications and availability are subject to change without notice.