

22X IR Network PTZ Dome Camera

IPC6322SR(LR)-X22(P)-C



Key Features

Optics

- 22X Optical Zoom
- Fifth-generation infrared technology, more than 150m (492ft) IR distance
- IR anti-reflection window to increase the infrared transmittance
- Optical glass window with higher light transmittance
- Smart IR
- EIS (Electronic Image Stabilization)

Compression

- Ultra 265, H.265, H.264, MJPEG
- Embedded smart algorithm
- Triple streams
- Customized OSD

Network

- ONVIF Conformance

Structure

- Intelligent temperature control technology
- More effective heat dissipation system
- 6 KV surge protection designed for network interface
- IK10 vandal resistant
- IP66

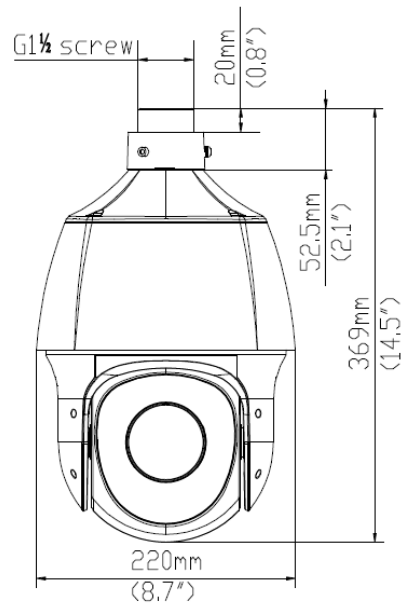
Specifications

	IPC6322LR-X22-C	IPC6322SR-X22P-C			
Camera					
Sensor	1/2.9" progressive scan, 2.0 megapixel, CMOS				
Lens	5.2~ 114.4 mm, AF automatic focusing and motorized zoom lens				
Digital Zoom	16				
Optical Zoom	22				
DORI Distance	Lens	Detect(m)	Observe(m)	Recognize(m)	Identify(m)
Angle of View (V)	5.2mm	83.6	33.4	16.7	8.4
Angle of View (O)	114.4mm	1838.6	735.4	367.7	183.9
Angle of View (H)	54.40°~ 3.44°				
Angle of View (V)	39.2° ~1.9°				
Angle of View (O)	66.9° ~4.1°				
Adjustment angle	Pan: 0°~360°		Tilt: 0°~90°	Rotate: 0°~360°	
Shutter	Auto/Manual, shutter time: 1 ~ 1/100000 s				
Minimum Illumination	Colour: 0.01 lux (F1.5,AGC ON) 0 lux with IR				
Iris	F1.5				
Day/Night	IR-cut filter with auto switch (ICR)				
Digital noise reduction	2D/3D DNR				
S/N	>55 dB				
IR Range	UP to 150m (492ft)				
Defog	Digital Defog				
WDR	DWDR				
Video					
Video Compression	Ultra 265,H.265, H.264, MJPEG				
H.264 code profile	Baseline profile, Main Profile, High Profile				
Frame Rate	Main Stream:2MP (1920×1080):Max. 30 fps; Sub Stream:2MP (1920×1080):Max. 30 fps; Third Stream: D1 (720×576): Max. 30 fps				
HLC	Supported				
BLC	Supported				
EIS	Supported				

OSD	Up to 8 OSDs	
Privacy Mask	Up to 24 areas	
ROI	Up to 8 areas	
Motion Detection	Up to 4 areas	
Smart		
Behavior Detection	Intrusion, cross line, motion detection	
Intrusion	Enter and loiter in a pre-defined virtual region	
cross line	Cross a pre-defined virtual line	
motion detection	Moving within a pre-defined virtual region	
Recognition	Face detection	Face detection、Audio detection
Statistical Analysis	People counting	
General Function	Watermark, IP Address Filtering, Tampering Alarm, Access Policy, ARP Protection, RTSP Authentication, User Authentication	Watermark, IP Address Filtering, Tampering Alarm, Alarm input, Alarm output, Access Policy, ARP Protection, RTSP Authentication, User Authentication
Audio		
Audio Compression	N/A	G.711
Two-way Audio	N/A	Supported
Suppression	N/A	Supported
Sampling Rate	N/A	8 KHZ
Storage		
Edge Storage	Micro SD, up to 128 GB	
Network Storage	ANR	
Network		
Protocols	IPv4, IGMP, ICMP, ARP, TCP, UDP, DHCP, PPPoE, RTP, RTSP, RTCP, DNS, DDNS, NTP, FTP, UPnP, HTTP, HTTPS, SMTP, 802.1x, SNMP	
Compatible Integration	ONVIF(Profile S, Profile G), API	
Pan & Tilt		
Pan Range	360°	
Pan Speed	0.1°/s ~ 240°/s	
	Preset speed: 300°/s	
Tilt Range	-15° ~ +90° (auto reverse)	
Tilt Speed	0.1° ~ 80°/s	
	Preset speed: 80°/s	
Number of Presets	1024	
Patrol	Preset patrol, route patrol, recorded patrol	
Home Position	Supported	
Interface		
Audio I/O	N/A	1 Input: impedance 35 kΩ; amplitude 2 V [p-p]
	N/A	1 Output: impedance 600 Ω; amplitude 2 V [p-p]
Alarm I/O	N/A	1/ 1
Network	1 RJ45 10M/100M Base-TX Ethernet	1 RJ45 10M/100M Base-TX Ethernet
General		
Power	DC 12V±10%	DC 12V±10%, PoE (PSE Required)
	Power consumption: 16~30 W	
Dimensions (∅ x H)	∅215mm×344mm(∅8.5" x13.5")	

Weight	3kg(6.6lb)
Working Environment	-40°C ~ +65°C (-40°F ~ 149°F), Humidity:10%~90% RH(non-condensing)
Ingress Protection	IP66
Vandal Resistant	IK10
Reset Button	Supported

Dimensions



Zhejiang Uniview Technologies Co., Ltd.

South Tower, Building 10, Wanlun Science Park, 88 Jiangling Road, Hangzhou, P.R.China 310051

Email: overseasbusiness@uniview.com; globalsupport@uniview.com

<http://www.uniview.com>

©2018 Zhejiang Uniview Technologies Co., Ltd. All rights reserved.

*Product specifications and availability are subject to change without notice.