

## 10/100M PoE Extender 25.5W (ONV-PSE-PD3101-at)

### 10/100M PoE Extender 30W



- ◆ Supply power to IP network cameras through Cat5e cables (PoE)
- ◆ Compatible with IEEE 802.3at/af
- ◆ Support 10/100M data transmission through RJ45 port, Anti-thunder for power input port.
- ◆ Transmission Distance: 100M ( 200m through UTP cable)
- ◆ High performance in heat dissipation. Light weight.
- ◆ Anti-thunder & Anti-Surge for NTBA

### Description

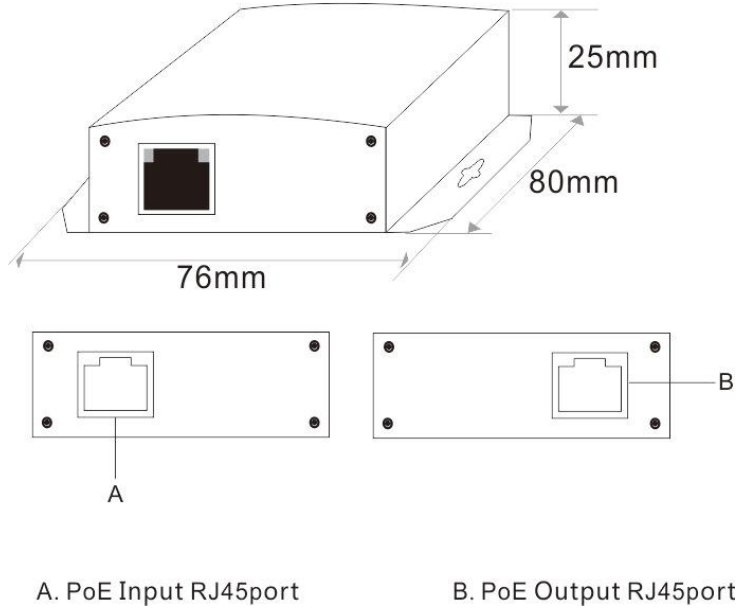
ONV-PSE-PD3101-at is a simple device which can extend the 100m standard data transmission to 200m through CAT5e/6 UTP cable, by just plug and play but no additional power supply or set up required. It offers you great flexibility to extend the distance of PoE network to triple, quadruple further in length or more. And this device supports forwards both Ethernet data and PoE power to remote devices

For the cost saving and power management purpose, the ONV-PSE-PD3101-at can be widely used for City intelligent traffic monitoring system (ITS), safe city, and wireless city; large industrial factory & enterprise security surveillance system; Highway surveillance system, electronic road surveillance, snapshot system; Remote multimedia teaching & campus surveillance, video conferencing systems; Building intercom, wireless communications, video surveillance.

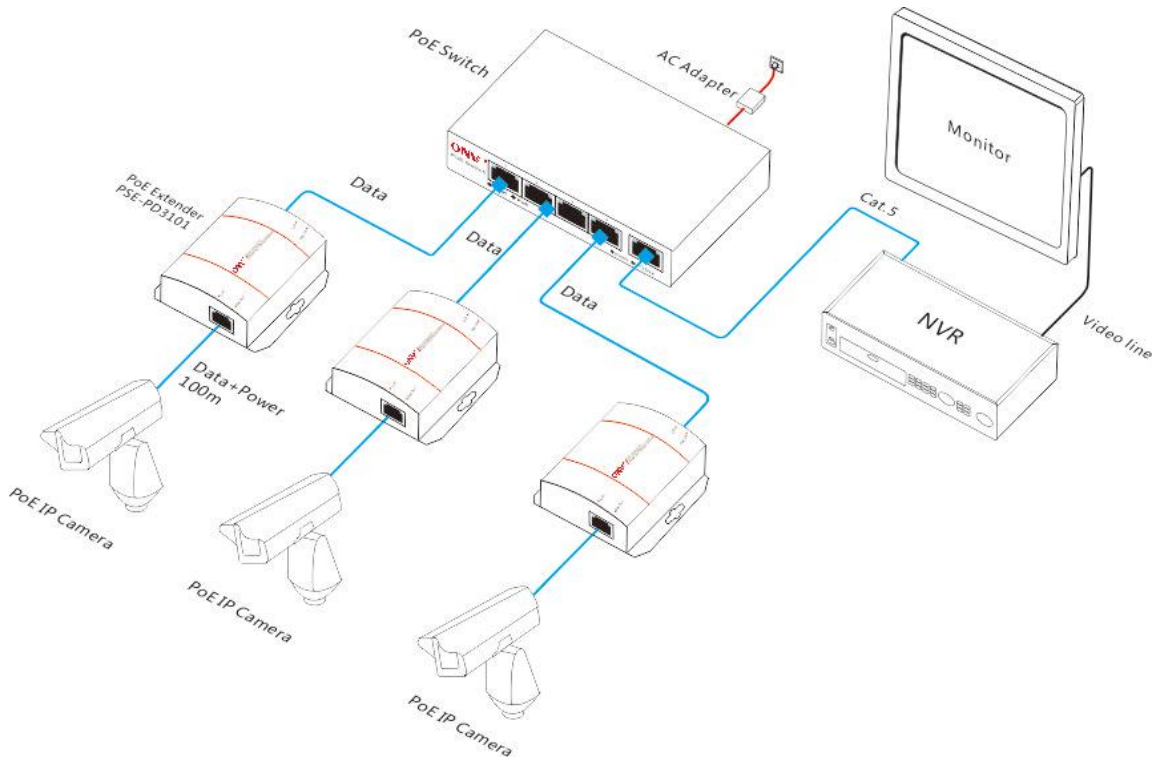
### Technical Specification

<b>Product Name</b>	10/100M PoE Extender 25.5W
<b>Model</b>	ONV-PSE-PD3101-at
<b>Description</b>	10/100M PoE extender, extends the data transmission from 100m to 200m
<b>Network Protocols and Standards</b>	IEEE 802.3i 10BASET IEEE 802.3u 100BASET IEEE 802.3x Flow Control IEEE 802.3af DTE Power via MDI IEEE 802.3af/at
<b>Network Medium</b>	10BASE-T: 3, 4, 5 UTP cable (≤100 meter) 100BASE-TX: 5 or more UTP cable (≤100 meter)
<b>Fundamental Function</b>	Compatible with IEEE802.3at/af, both for PSE& PD. End-span: 1/2, 3/6 (Default) Mid-span: 4/5, 7/8 (Optional) Plug and play, no need for any setting. MTBF: 100,000 hours
<b>Transmission rate</b>	10/100Mbps
<b>Port Description</b>	1x RJ45 PoE input port; 1x RJ45 PoE output port
<b>LED Indicator Status</b>	POE input indicator; PD output indicator
<b>Dimension/Weight</b>	Dimension(LxWxH): 80X76X25mm; 0.15kg
<b>Environment</b>	Operating temperature: 0 to 55° C Storage temperature: -20 to 75° C Working/ Storage Humidity: 10%~90%, non-condensing
<b>Certification</b>	CE Mark ,commercial, FCC Class, RoHS
<b>Warranty</b>	1 year warranty
<b>Package List</b>	POE Extender, User Guide, Warranty Card

# 10/100M PoE Extender 25.5W



## Application



## Ordering Information

## 10/100M PoE Extender 25.5W

**Model:** ONV-PSE-PD3101-at

**Description:**

10/100M PoE Extender; 1x RJ45 input port; 1x RJ45 PoE output port;25.5W(IEEE802.3at);  
Extends the data transmission from 100m to 200m

**Ordering Note:** End-span (1/2+, 3/6-) is as default. Mid-span (4/5+, 7/8- ) can be customized

### Packing List

Packing List	10/100M PoE Extender 30W (ONV-PSE-PD3101-at)
	User Guide
	Warranty Card

**Contact Us:**

**ONV Headquarter**

Tel: 0755-33376606

Fax: 0755-33376608

Technical Support: 0755-33376610

Website: <http://www.onvcom.com>

Zip: 518000

Address: Room 1003, Block D, Terra Building, Futian district,  
Shenzhen,China

**ONV Factory**

Tel: 0755-33079466

Fax: 0755-33079477

Email: [onv@onvcom.com](mailto:onv@onvcom.com)

Website: <http://www.onvcom.com>

Address: The 4-5th Floor, A building,  
SenYuTai (Science&Technology) Park,  
HuaNing Road, Dalang sub-district, Longhua district ,  
Shenzhen ,China

