



Model No.	W*D	Capacity
WS.5409.9002	520*450	9U

Standard:

- Comply with ANSI/EIA RS-310-D, IEC297-2, DIN41491 part 1, part 7, DIN41494 standard

Feature:

- Front door, made of glass, with silk-screened flower pattern;
- Easy mounting installation (patent);
- 10" or 19" standard installation;
- Characteristics, elegant appearance, easy assembly; significant reduction in transportation and storage cost.

Loading Capacity:

- 30KG .

Degree of Protection:

- IP20 .

Material:

- SPCC Cold Rolled Steel;
- Thickness: Mounting profile: 1.5mm, others: 0.8mm .

Surface finish:

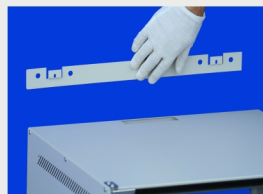
- Degreasing, phosphoric, powder coated .



Hinge installation



cable entry



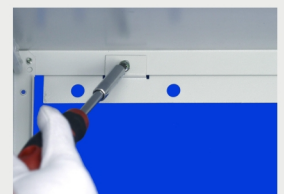
Install to wall



Easy installation, dust-proof



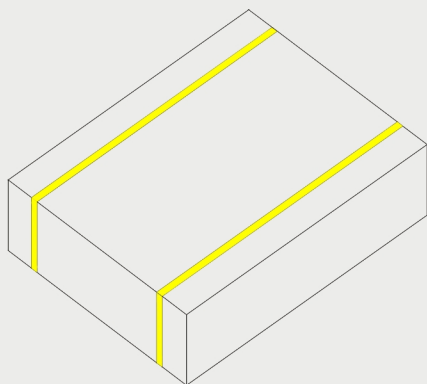
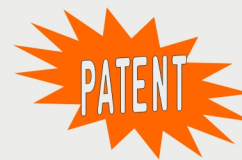
Mounting panel



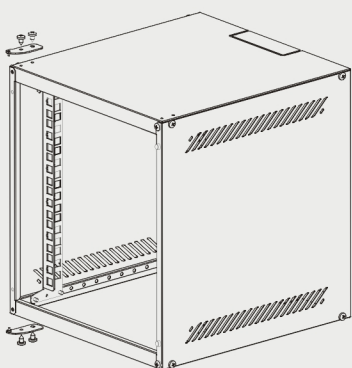
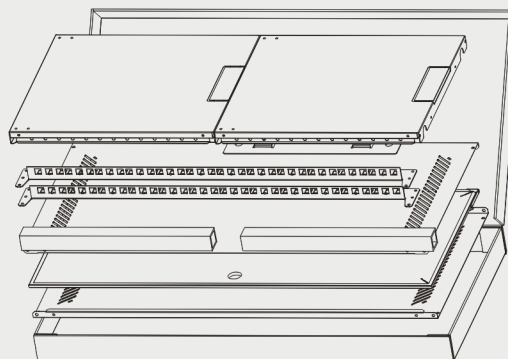
Inside fixation by nuts

Reducing your shipping storage and delivery cost

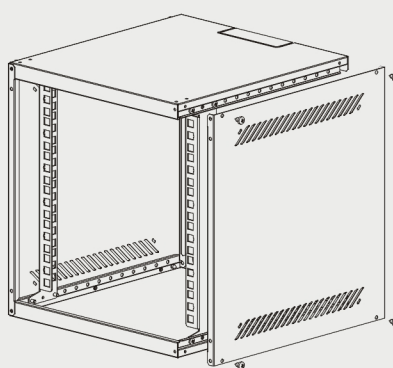
Assembling Draft



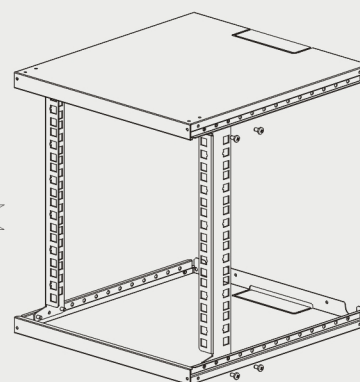
Package



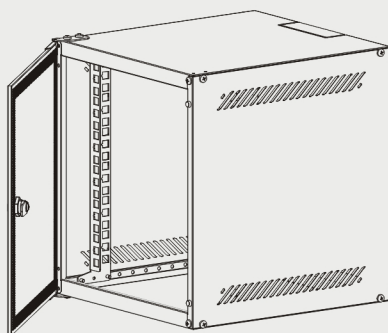
Use M4*6 screw to fix the top & bottom spring bolt (but not fix the top spring bolt tightly, for installing front door), then fix cushion.



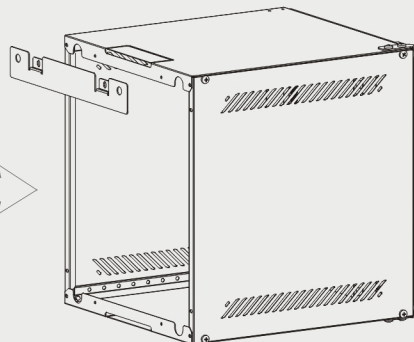
Use M4*6 screw to fix the side panel to the outer side face of top & bottom cover.



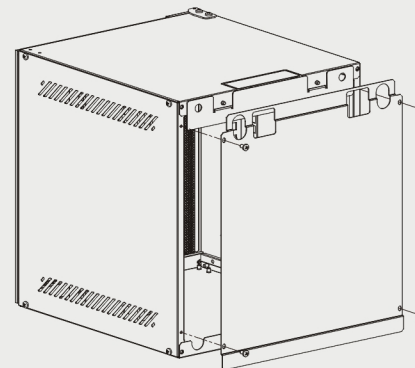
Use M4*6 screw to fix the mounting profile to the inner panel of top & bottom cover.



Install the front door, ensuring the gap between door and frame well-proportioned, then fix the top spring bolt.

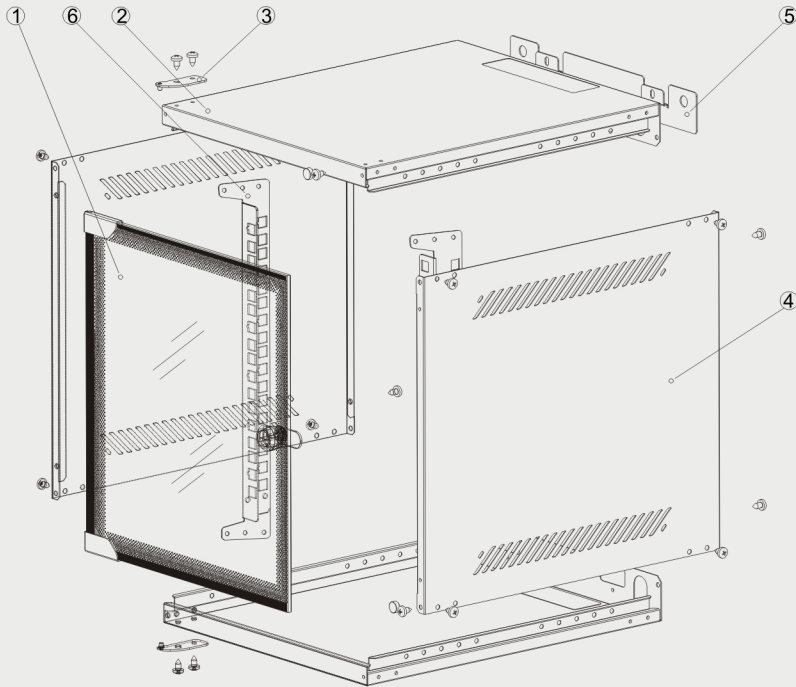


Use M3.5*6 screw to fix the frame to the mounting panel frame inner to outer (mounting panel should be fixed to the wall first).



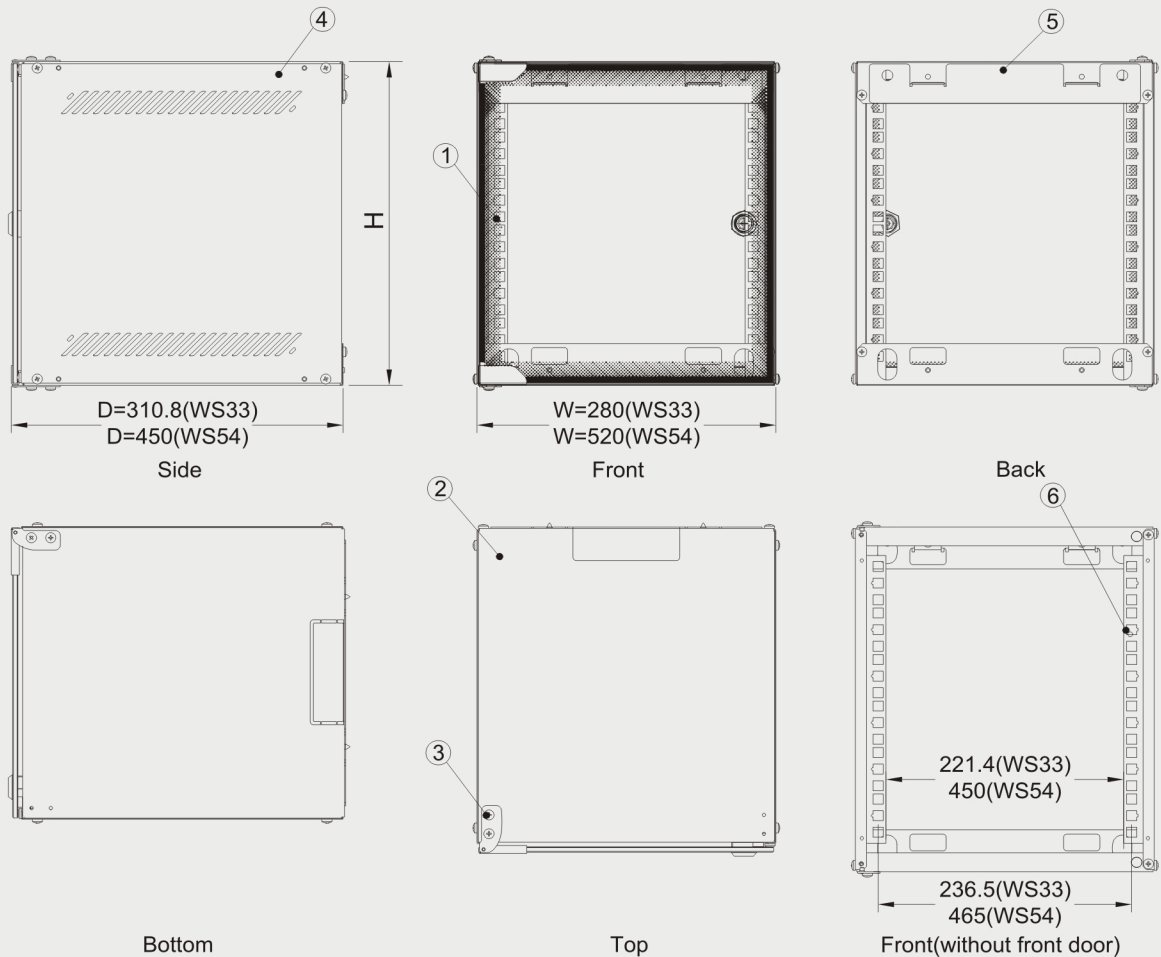
Back panel (optional)
Assembling draft.

Main structure



- 1. Front door
- 2. Top & bottom cover
- 3. Hinge installation
- 4. Side panel
- 5. Mounting panel
- 6. Mounting profile

Main dimension



Main parts:

S/N	Specification	Quantity	Unit	Material	Surface Finish	Remark
1	Front door	1	Piece	5MM toughed glass door		---
2	Top & bottom cover	2	Piece	SPCC Cold rolled steel t0.8	Powder coated	---
3	Hinge installation	2	Piece	SPCC cold rolled steel t1.2	Nickel coated	---
4	Side panel	2	Piece	SPCC Cold rolled steel t0.8	Powder coated	---
5	Mounting panel	1	Piece	SPCC cold rolled steel t1.2	Powder coated	---
6	Mounting profile	2	Piece	SPCC Cold rolled steel t1.5	Powder coated	---
7	Small round lock	1	Piece	---	---	With 2 keys
8	M6 Square nut	10	Piece	Steel	Color Zinc	20pcs for over 12U
9	M6 B-head screw	10	Piece	Steel	Color Zinc	20pcs for over 12U
10	M10 Swell screw	2	Piece	Steel	Color Zinc	---
11	Allen wrench	1	Piece	Steel	Black	---

Specification:

Model No.	Capacity (U)	Width (mm)	Depth (mm)	Height (mm)	Packing Dimension	Volume (CBM)
WS.3304.90 ■■■	4	280	310	241	320*315*50	0.00504
WS.3306.90 ■■■	6			330	320*340*50	0.00544
WS.3309.90 ■■■	9			463	320*475*50	0.0076
WS.3312.90 ■■■	12			596	320*615*45	0.00984
WS.3315.90 ■■■	15			730	320*740*45	0.01184
WS.5404.90 ■■■	4	520	450	241	530*450*65	0.0155
WS.5406.90 ■■■	6			330	530*450*65	0.0155
WS.5409.90 ■■■	9			463	530*465*65	0.016
WS.5412.90 ■■■	12			596	530*600*65	0.0207
WS.5415.90 ■■■	15			730	530*895*55	0.0261

Definition of body color:

■ ■ ■ ■ ■ ■ ■ ■ ■ ■ 01	■ ■ ■ ■ ■ ■ ■ ■ ■ ■ 02
black	gray
RAL9004	RAL7035

Color:

RAL9004	RAL7035
